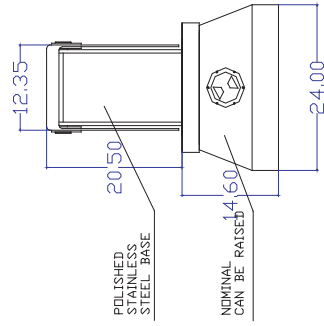
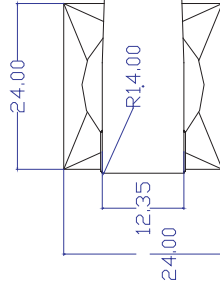
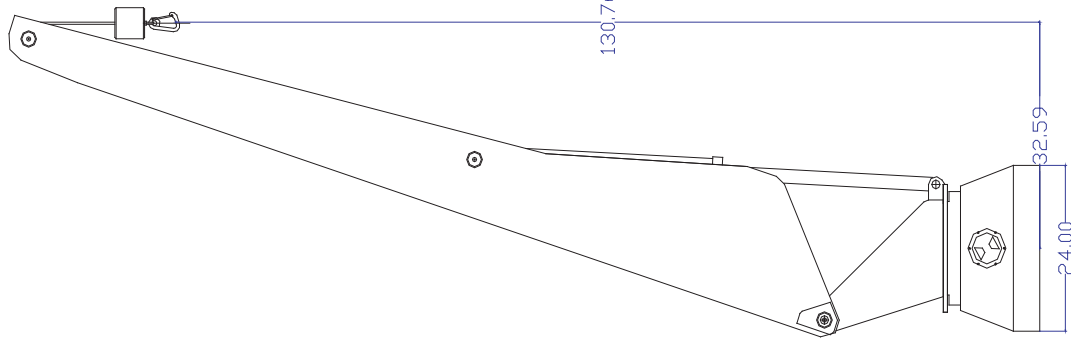
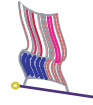


FULLY HYDRAULIC ON ALL FUNCTION
 POWER BOOMING— 70 DEGREES
 POWER ROTATION—180 OR 360
 LINEAR HOISTING— SMOOTH & QUIET

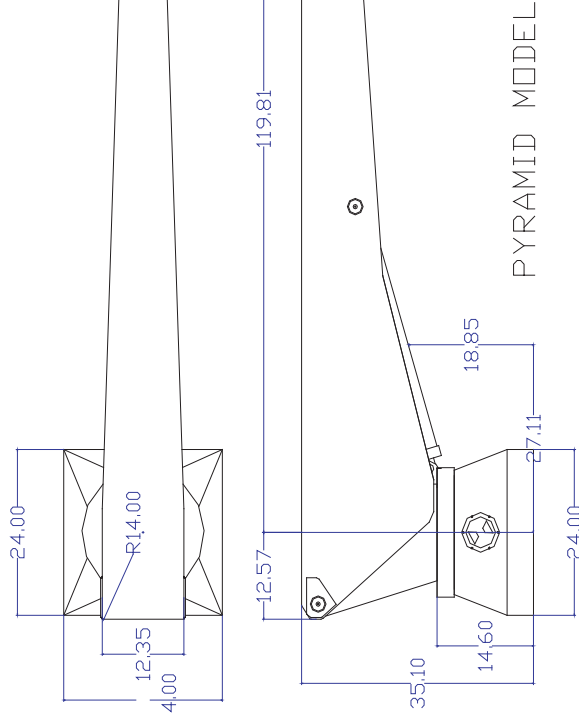
2000#-LINEAR

Jan 02

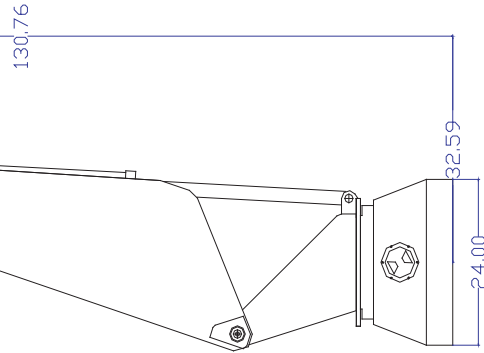


POLISHED STAINLESS STEEL BASE

NOMINAL CAN BE RAISED 4.60

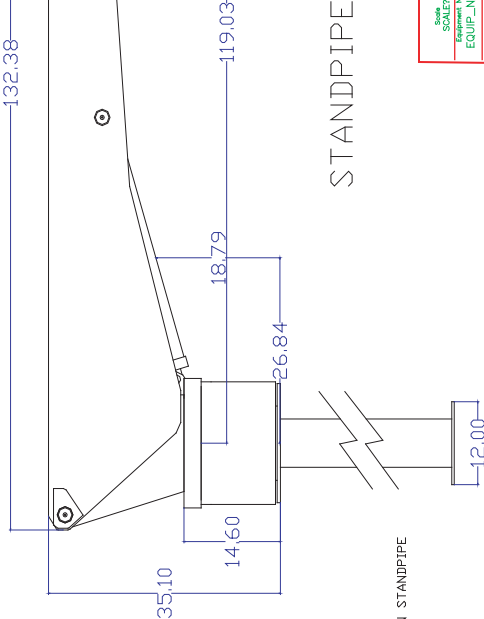


PYRAMID MODEL



POLISHED STAINLESS STEEL BASE

NOMINAL CAN BE RAISED OR LOWERED 17.75



STANDPIPE MODEL

NOMINAL LENGTH ON STANDPIPE

Scale?	Drawn
Equipment No.?	MR
WO. No.?	Date
	05-01
	Drawn Title
	2000#-LIN
	Part No.
	DWG

NICK JACKSON CO.

THE SMOOTHEST AND THE QUIETEST UNIT YOU CAN BUY. FULLY HYDRAULIC 3 FUNCTIONS. SILENT OPERATION. PENDANT OPERATED. AS A STANDARD UNIT, THIS COMES IN LENGTH OF 9 1/2' OF REACH IN THE DOWN POSITION. STANDPIPE OR PYRAMID MOUNTED AS YOU REQUIRE. DIMENSIONAL HEIGHT OF THE UNIT CAN BE LOWERED OR RAISED TO FIT YOUR NEED. CUSTOM CAPABILITY USES LESS THAN ONE AND A HALF GALLONS OF FLUID TO OPERATE. 12V, 24V OR 115VAC OPERATED BY SEPERATE AUTOCAD DRAWINGS AVAILABLE FOR YOU TO WORK WITH. CALL OR E-mail US FOR YOUR PROJECT. Ph. 425-481-1381 * NJCDAVITS@aol.com

